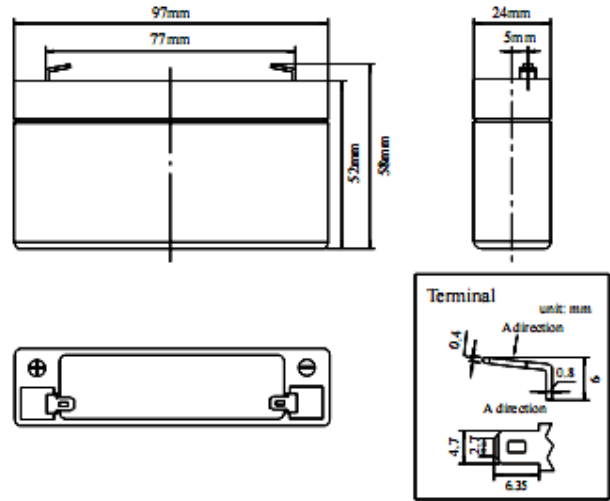


**Product Image**



**Product Dimensions**



**Characteristics**

|  |                           |   |
|--|---------------------------|---|
| Nominal Voltage                                    |                           | 6V  |
| Nominal Capacity (20 hour rate)                    |                           | 1.3Ah   |
| Capacity<br>25°C (77 °F)                           | 10 hour rate (0.12A)      | 1.2Ah   |
|  | 5 hour rate (0.23A)       | 1.15Ah  |
|  | 1 hour rate (0.86A)       | 0.86Ah  |
| Internal Resistance                                | Full Charged Battery 25°C | ≤46mΩ   |
| Capacity affected by<br>Temperature<br>(10 hour )  | 40°C (104 °F)             | 102%  |
|  | 25°C (77 °F)              | 100%  |
|  | 0°C (32 °F)               | 85%   |
|  | -15°C (5 °F)              | 65%   |
| Self-Discharge<br>25°C (77 °F)<br>Capacity         | after 3 month storage     | 90%   |
|  | after 6 month storage     | 80%   |
|  | after 12 month storage    | 62%   |
| Charge<br>(Constant<br>Voltage)<br>25°C<br>(77 °F) | Float                     | Initial Charging Current Less than 0.4A<br>Voltage 6.8-6.9V |
|  | Cycle                     | Initial Charging Current Less than 0.4A<br>Voltage 7.2-7.5V |

**Packaging**

|                       |                 |                |
|-----------------------|-----------------|----------------|
| Battery<br>Dimensions | Length          | 97mm           |
|                       | Width           | 24mm           |
|                       | Height          | 53mm           |
|                       | Total<br>Height | 58mm           |
| Box<br>Dimensions     | Length          | 309mm          |
|                       | Width           | 214mm          |
|                       | Height          | 170mm          |
| Quantity Per Box      |                 | 40 pcs per box |
| Net weight Per Cell   |                 | 0.25kg ±20g    |
| Net weight Per Box    |                 | 10kg           |
| Gross Weight          |                 | 10.4kg         |

**Discharge Constant Current per Cell (Amperes at 77°F25°C)**

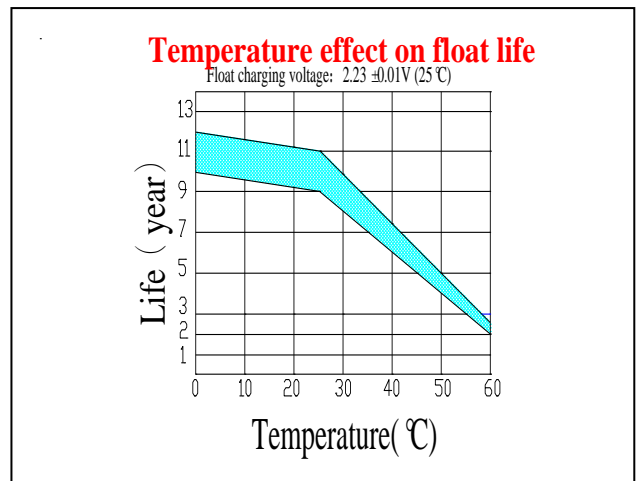
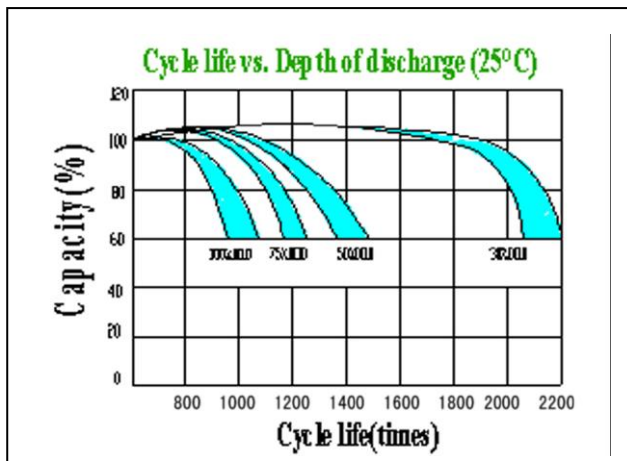
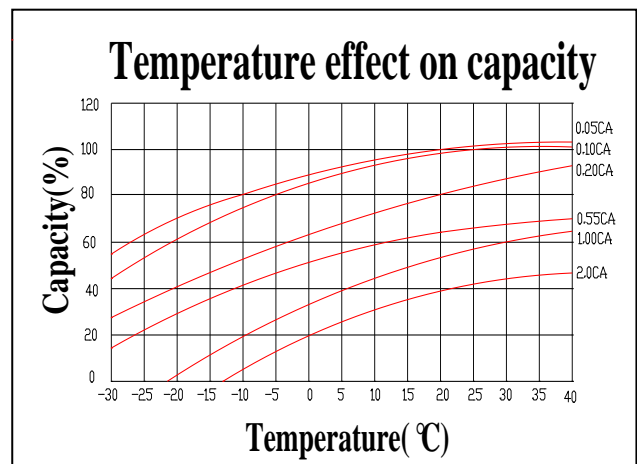
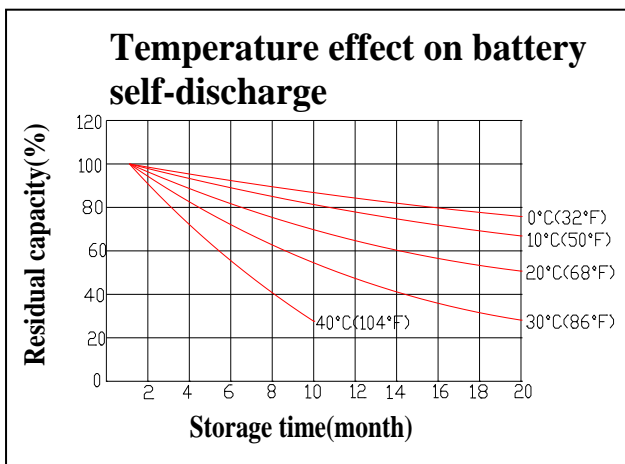
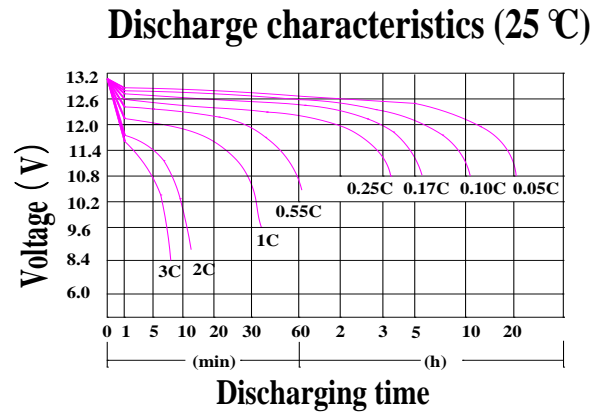
| F.V/Time | 5min | 10min | 15min | 30min | 45min | 1h   | 2h   | 3h   | 5h   | 8h   | 10h  | 20h   |
|----------|------|-------|-------|-------|-------|------|------|------|------|------|------|-------|
| 1.60V    | 4.29 | 2.86  | 2.15  | 1.43  | 1.00  | 0.86 | 0.54 | 0.37 | 0.25 | 0.16 | 0.14 | 0.072 |
| 1.65V    | 4.21 | 2.81  | 2.11  | 1.40  | 0.98  | 0.84 | 0.53 | 0.36 | 0.24 | 0.16 | 0.13 | 0.070 |
| 1.70V    | 4.13 | 2.76  | 2.07  | 1.38  | 0.96  | 0.83 | 0.52 | 0.35 | 0.24 | 0.16 | 0.13 | 0.069 |
| 1.75V    | 4.06 | 2.70  | 2.03  | 1.35  | 0.95  | 0.81 | 0.51 | 0.35 | 0.23 | 0.16 | 0.13 | 0.068 |
| 1.80V    | 3.90 | 2.60  | 1.96  | 1.30  | 0.91  | 0.78 | 0.49 | 0.33 | 0.22 | 0.15 | 0.12 | 0.065 |

**Discharge Constant Power per Cell (Watts at 77°F 25°C)**

| F.V/Time | 5min | 10min | 15min | 30min | 45min | 1h   | 2h   | 3h   | 5h   | 8h   | 10h  | 20h  |
|----------|------|-------|-------|-------|-------|------|------|------|------|------|------|------|
| 1.60V    | 8.26 | 5.51  | 4.14  | 2.75  | 1.93  | 1.65 | 1.03 | 0.71 | 0.47 | 0.32 | 0.26 | 0.14 |
| 1.65V    | 8.11 | 5.41  | 4.07  | 2.70  | 1.89  | 1.62 | 1.01 | 0.69 | 0.46 | 0.31 | 0.26 | 0.14 |
| 1.70V    | 7.96 | 5.31  | 3.99  | 2.65  | 1.86  | 1.59 | 0.99 | 0.68 | 0.45 | 0.31 | 0.25 | 0.13 |
| 1.75V    | 7.81 | 5.21  | 3.92  | 2.60  | 1.82  | 1.56 | 0.98 | 0.67 | 0.45 | 0.30 | 0.25 | 0.13 |
| 1.80V    | 7.51 | 5.01  | 3.77  | 2.50  | 1.75  | 1.50 | 0.94 | 0.64 | 0.43 | 0.29 | 0.24 | 0.13 |

**Note** The above data are average values, and can be obtained within 3 charge/discharge cycles. These are not minimum values. Cell and battery designs/specifications are subject to modification without notice. Contact **MCA** for the latest information.

**Performance Characteristics**



**Battery Construction**

| Component    | Positive plate | Negative plate | Container | Cover | Safety valve | Terminal | Separator  | Electrolyte  |
|--------------|----------------|----------------|-----------|-------|--------------|----------|------------|--------------|
| Raw material | Lead dioxide   | Lead           | ABS       | ABS   | Si-Rubber    | Lead     | Fiberglass | Colloid(GEL) |