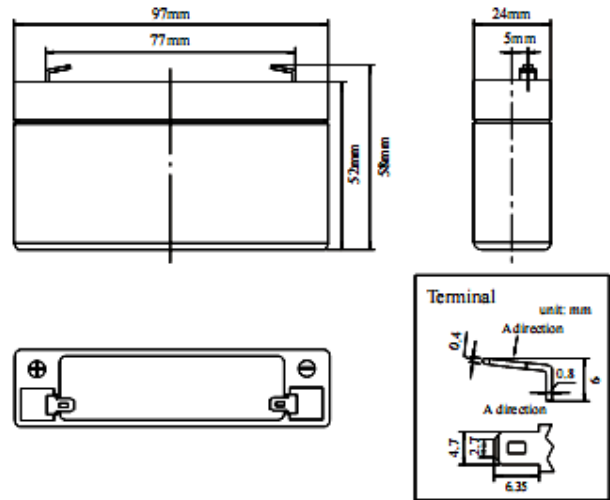


Product Image



Product Dimensions



Characteristics

| | | |
|--|---------------------------|---|
| Nominal Voltage | | 6V |
| Nominal Capacity (20 hour rate) | | 1.3Ah |
| Capacity 25°C (77 °F) | 10 hour rate (0.12A) | 1.2Ah |
| | 5 hour rate (0.23A) | 1.15Ah |
| | 1 hour rate (0.86A) | 0.86Ah |
| Internal Resistance | Full Charged Battery 25°C | ≤46mΩ |
| Capacity affected by Temperature (10 hour) | 40°C (104 °F) | 102% |
| | 25°C (77 °F) | 100% |
| | 0°C (32 °F) | 85% |
| | -15°C (5 °F) | 65% |
| Self-Discharge 25°C (77 °F) Capacity | after 3 month storage | 90% |
| | after 6 month storage | 80% |
| | after 12 month storage | 62% |
| Charge (Constant Voltage) 25°C (77 °F) | Float | Initial Charging Current Less than 0.4A Voltage 6.8-6.9V |
| | Cycle | Initial Charging Current Less than 0.4A Voltage 7.2-7.5V |

Packaging

| | | |
|-----------------------|-----------------|----------------|
| Battery Dimensions | Length | 97mm |
| | Width | 24mm |
| | Height | 53mm |
| | Total Height | 58mm |
| Box Dimensions | Length | 309mm |
| | Width | 214mm |
| | Height | 170mm |
| Quantity Per Box | | 40 pcs per box |
| Net weight Per Cell | | 0.25kg ±20g |
| Net weight Per Box | | 10kg |
| Gross Weight | | 10.4kg |

Discharge Constant Current per Cell (Amperes at 77°F/25°C)

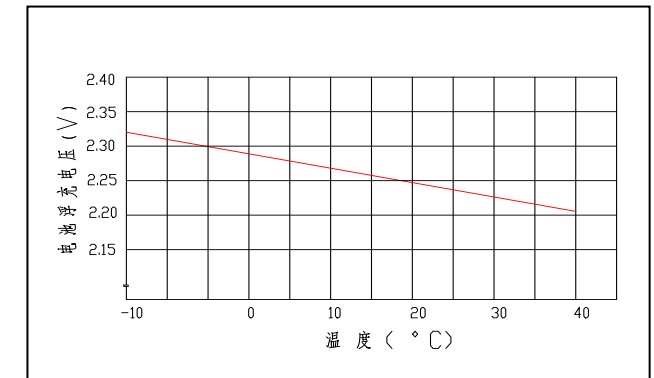
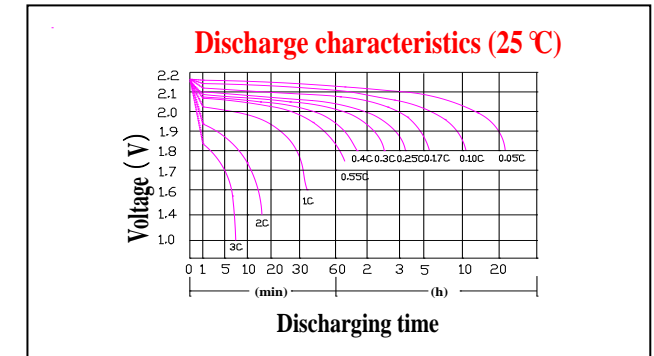
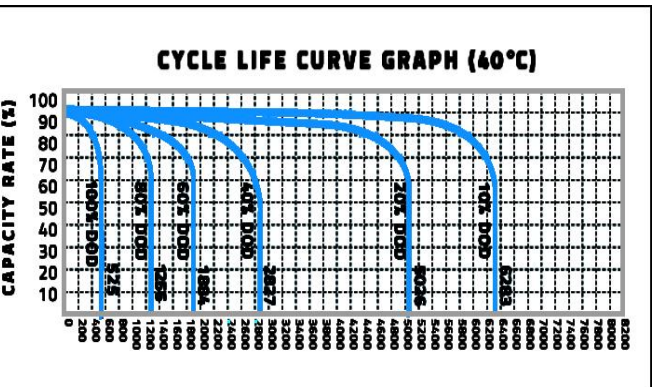
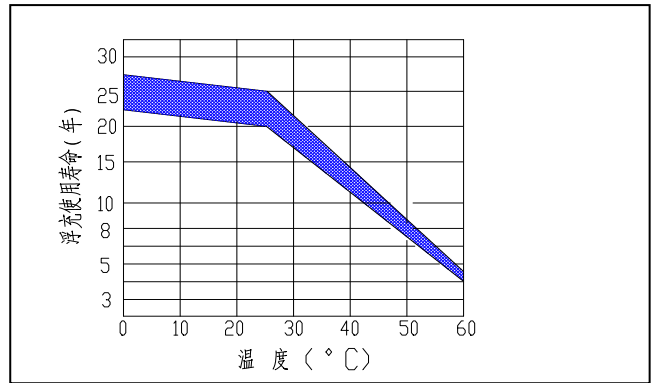
| F.V/Time | 5min | 10min | 15min | 30min | 45min | 1h | 2h | 3h | 5h | 8h | 10h | 20h |
|----------|------|-------|-------|-------|-------|------|------|------|------|------|------|-------|
| 1.60V | 4.29 | 2.86 | 2.15 | 1.43 | 1.00 | 0.86 | 0.54 | 0.37 | 0.25 | 0.16 | 0.14 | 0.072 |
| 1.65V | 4.21 | 2.81 | 2.11 | 1.40 | 0.98 | 0.84 | 0.53 | 0.36 | 0.24 | 0.16 | 0.13 | 0.070 |
| 1.70V | 4.13 | 2.76 | 2.07 | 1.38 | 0.96 | 0.83 | 0.52 | 0.35 | 0.24 | 0.16 | 0.13 | 0.069 |
| 1.75V | 4.06 | 2.70 | 2.03 | 1.35 | 0.95 | 0.81 | 0.51 | 0.35 | 0.23 | 0.16 | 0.13 | 0.068 |
| 1.80V | 3.90 | 2.60 | 1.96 | 1.30 | 0.91 | 0.78 | 0.49 | 0.33 | 0.22 | 0.15 | 0.12 | 0.065 |

Discharge Constant Power per Cell (Watts at 77°F 25°C)

| F.V/Time | 5min | 10min | 15min | 30min | 45min | 1h | 2h | 3h | 5h | 8h | 10h | 20h |
|----------|------|-------|-------|-------|-------|------|------|------|------|------|------|------|
| 1.60V | 8.26 | 5.51 | 4.14 | 2.75 | 1.93 | 1.65 | 1.03 | 0.71 | 0.47 | 0.32 | 0.26 | 0.14 |
| 1.65V | 8.11 | 5.41 | 4.07 | 2.70 | 1.89 | 1.62 | 1.01 | 0.69 | 0.46 | 0.31 | 0.26 | 0.14 |
| 1.70V | 7.96 | 5.31 | 3.99 | 2.65 | 1.86 | 1.59 | 0.99 | 0.68 | 0.45 | 0.31 | 0.25 | 0.13 |
| 1.75V | 7.81 | 5.21 | 3.92 | 2.60 | 1.82 | 1.56 | 0.98 | 0.67 | 0.45 | 0.30 | 0.25 | 0.13 |
| 1.80V | 7.51 | 5.01 | 3.77 | 2.50 | 1.75 | 1.50 | 0.94 | 0.64 | 0.43 | 0.29 | 0.24 | 0.13 |

Note The above data are average values, and can be obtained within 3 charge/discharge cycles. These are not minimum values. Cell and battery designs/specifications are subject to modification without notice. Contact **MCA** for the latest information.

Performance Characteristics



Battery Construction

| Component | Positive plate | Negative plate | Container | Cover | Safety valve | Terminal | Separator | Electrolyte |
|--------------|----------------|----------------|-----------|-------|--------------|----------|------------|-------------|
| Raw material | Lead dioxide | Lead | ABS | ABS | Si-Rubber | Copper | Fiberglass | Nano |